

規格承認書

SPECIFICATION FOR APPROVAL

客戶
CUSTOMER : 立創
項目
ITEM : 咪頭
型號
TYPE : BL-MP9767 -2C-38dB
客戶料號
CUSTOMER NO. :
規格書號
SPECIFICATION NO. :
版本
EDITION NO. : 1.1
客戶料號
CUSTOMER NO. :
日期
DATE : 2018-07-20

客戶認可

CUSTOMER'S APPROVED SIGNATURE

--	--	--

東莞市博林電子有限公司

DONGGUAN BOLIN ELECTRONICS CO.,LTD

HTTP://WWW.BOLIN.COM.HK

地址：廣東省東莞市長安鎮鑫偉潤高新科技产业园

Address: Xin Weirun hi tech Industrial Park of Chang'an Town, Dongguan City, Guangdong Province, China

電話專線/TEL:0769- 85378891 傳真/FAX:0769-81769981

確認 APPROVED BY	審查 CHECKED BY	製作 ISSUED BY
	石磊	zhang

A. SCOPE

This specification applies electret condenser microphone, BL-MP9767 -2C-38dB

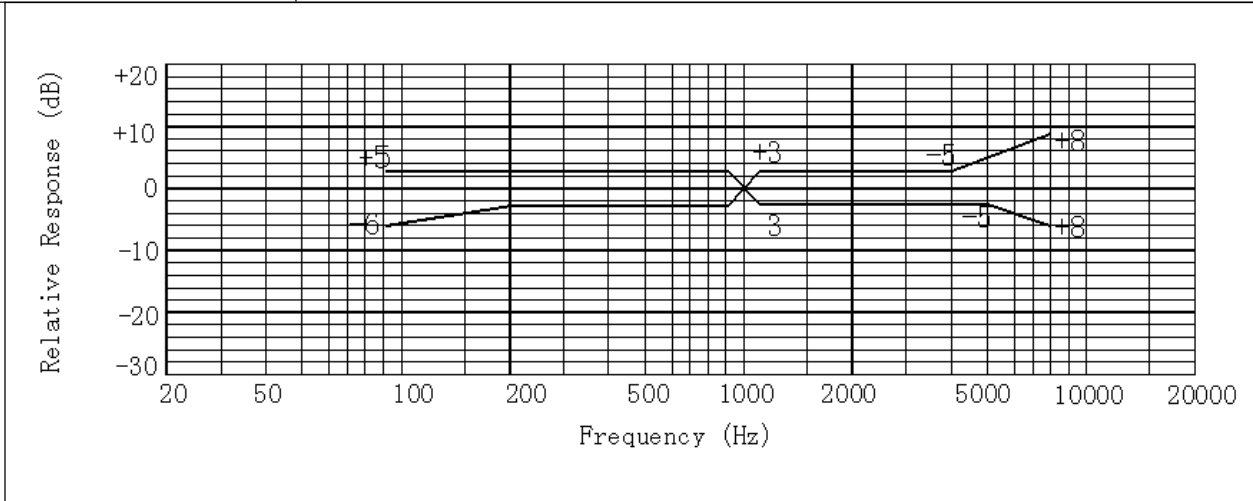
B. SPECIFICATION

■ Test condition: $R_L=2.2K\Omega$ $V_S=4.5V$ $TEMP=25^\circ C \pm 2^\circ C$ Related humidity= $65 \pm 5\%$

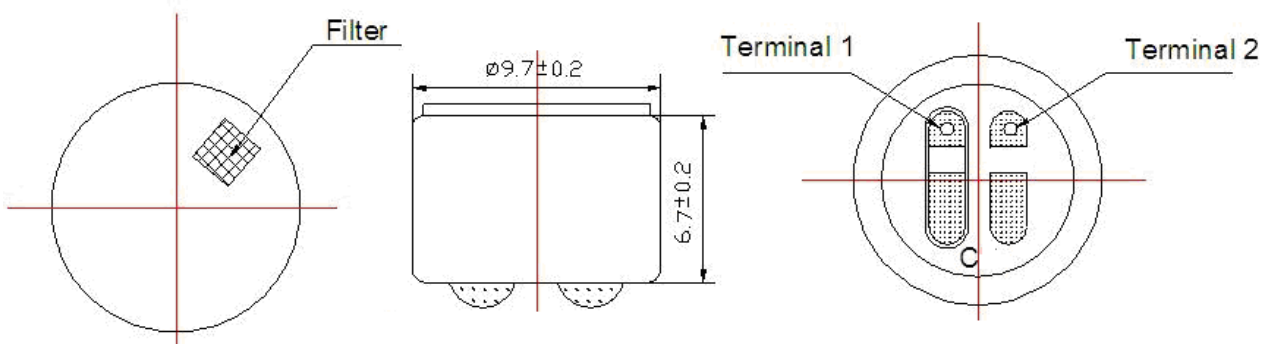
No.	Item	Symbol	Unit	Specification	Condition
1	Directivity			Omnidirectional	
2	Sensitivity	S	dB	-38±3	f=1KHz, 0dB=1V/Pa
3	Standard operating voltage	V_s	V	4.5	
4	Output impedance	Z_{out}	K Ω	≤2.2	f=1KHz, 1Pa
5	Max operating voltage		V .	10	
6	Sensitivity reduction	$\Delta S-V_s$	dB	-3	f=1KHz, 1Pa vs=4.5VDC to 3.0VDC
7	Max. current consumption	I_{DSS}	mA	≤0.5	
8	Signal to noise ration	S/N	dBA	≥58	f=1KHz, P _{in} =1Pa
9	Operation temp.		°C	-10 ~+60	
10	Storage temp.		°C	-20 ~+70	
11	Dimension		mm	φ 9.7x6.7	See appearance drawing
12	Terminal			Terminal	See appearance drawing

C. TYPICAL FREQUENCY RESPONSE CURVE

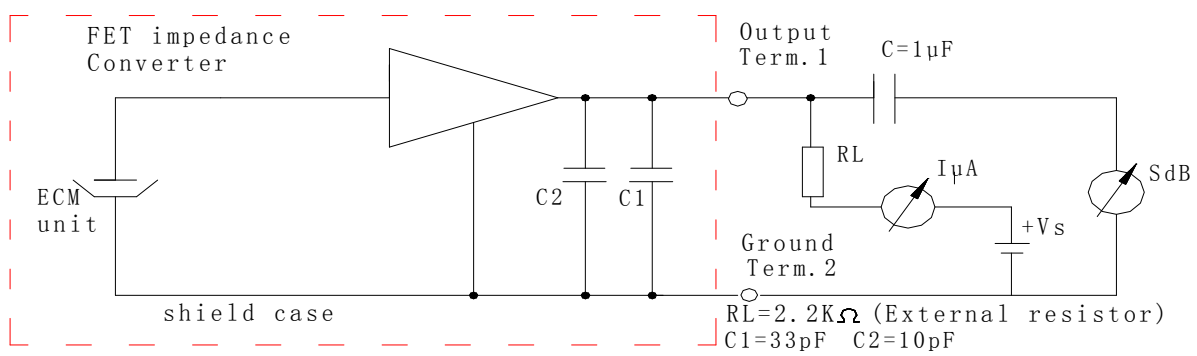
传声器信赖性试验 Reliability Test	
经过以下所有试验在 20°C 的条件下放置 3 小时后,麦克风的灵敏度与试验前比较变化在 ±3DB 以内 After any following tests, the sensitivity of the microphone to be within ±3DB of initial sensitivity after 3hours of conditioning at 20°C	
5-1 振动试验 Vibration	周波数 1/Frequency1:10Hz~55Hz 振幅/Amplitude:1.52mm 变化/Change of Frequency:1 octave/min 3 方向,各 1 小时/hours in each of 3 axes
5-2 高温试验	+70°C for 72 hours



D. APPEARANCE DRAWING



E. MEASUREMENT CIRCUIT



Dry Heat	
5-3 低温试验 Dry Cold	-20°C for 72 hours
5-4 高温高湿试验 Damp Heat	90%~95%RH, +40°C for 72 hours
5-5 温度循环试验 Temperature cycles	-20°C 25°C 70°C - 20°C (0.5h) (10 minutes) (0.5h) (10 minutes) x 5 cycles
5-6 跌落试验 Packing drop test	Height: 1m 顺序:三个面各跌 1 次 Procedure:1 times from each of 3 axes
焊接条件 Soldering Condition.	
7-2 电烙铁表面温度低于 300°C ± 10°C The temperature of the working surface of the soldering copper shall be below 300°C ± 10°C	
7-3 焊接时把麦克风嵌入散热能力强的金属块内。 ECM shall be soldered fixed on the metal block(heat sink)which has the higher radiation effects said heat sink Shall contact with of ECM .	
7-4 焊接时间控制在 3 秒内。 time for each terminal shall be 3sec.	
7-5 焊接后不能出现针孔。 The pinhole after soldering shall be avoided.	
7-6 静电容易破坏麦克风必须采取措施避免（电烙铁接地，戴静电环等。） ECM may easily destroyed by the static electricity and the countermeasure for eliminating the static electricity(the ground for soldering copper, for worktable and for human body)shall be executed.	